

# MODEL : BV-202 [ Two Piece Body Ball Valve Full Port ]



Connection : ANSI 150

### SPECIFICATION

Valve Design : MSS-SP-72  
 Face to face : ASTM / ANSI B16.10\*  
 Flange connection : ANSI B16.1  
 Pressure test : API 598 (ISO 5208)

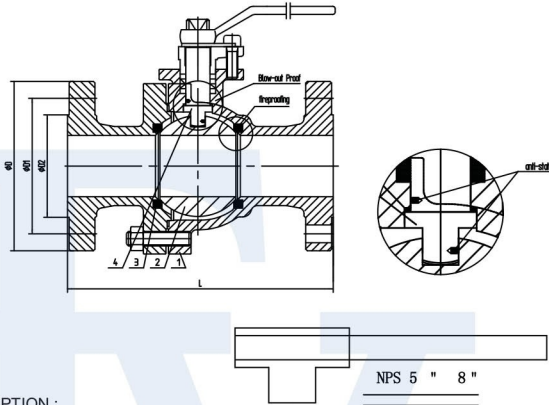
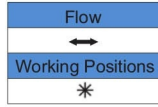
- ◆ **Suitable for :** 1. Water  
 2. Oil  
 3. Gases
- ◆ **FEATURES**  
 1. Anti Static device  
 2. Fire safe design

### MATERIAL LIST

No	Part Name	MATERIAL		
1	Body	A216-WCB	CF8	CF8M
2	Ball	CF8	CF8	CF8M
3	*Seat	PTFE	PTFE	PTFE
		15% Glassfield	15% Glassfield	
4	Stem	SS13%Cr	SS304	AISI 316

### DIMENSIONS (mm)

Size	DN	L	D	D1	D2	Weight (Kg)
1/2"	15	108	90	60.3	34.9	1.85
3/4"	20	117	100	69.9	42.9	2.15
1"	25	127	110	79.4	50.8	3.1
1" - 1/4"	32	140	115	88.9	63.5	3.8
1" - 1/2"	40	165	125	98.4	73	5.3
2"	50	178	150	120.7	92.1	7.25
2" - 1/2"	65	190	180	139.7	104.8	11.35
3"	80	203	190	152.4	127	14.9
4"	100	229	230	190.5	157.2	22.2
5"	125	356	255	215.9	185.7	36
6"	150	394	280	241.3	215.9	44
8"	200	457	345	298.5	269.9	83
10"	250	533	405	362	323.8	163

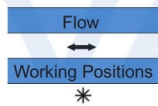


- \*OPTION :  
 1. PEEK  
 2. 15% Glass PTFE  
 3. 25% Carbon Full PTF  
 4. TFM 1600

# MODEL : BV-202 [ Two Piece Body Ball Valve Full Port ]



Connection : ANSI 300



### SPECIFICATION

Valve Design : MSS-SP-72  
 Face to face : ASTM / ANSI B16.10\*  
 Flange connection : ANSI B16.1  
 Pressure test : API 598 (ISO 5208)

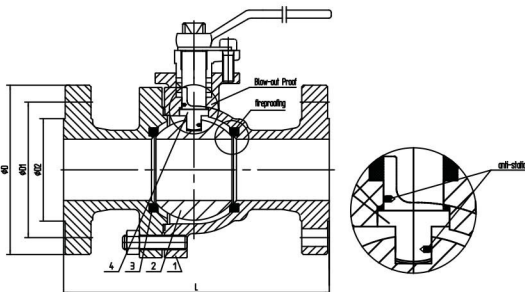
- ◆ **Suitable for :** 1. Water  
 2. Oil  
 3. Gases
- ◆ **FEATURES**  
 1. Anti Static device  
 2. Fire safe design

### MATERIAL LIST

No	Part Name	MATERIAL		
1	Body	A216-WCB	CF8	CF8M
2	Ball	CF8	CF8	CF8M
3	*Seat	PTFE	PTFE	PTFE
		15% Glassfield	15% Glassfield	
4	Stem	SS13%Cr	SS304	AISI 316

### DIMENSIONS (mm)

Size	DN	L	D	D1	D2	Weight (Kg)
1/2"	15	140	95	66.7	34.9	2.4
3/4"	20	152	115	82.6	42.9	3.4
1"	25	165	125	88.9	50.8	4.85
1" - 1/4"	32	178	135	98.4	63.5	6.05
1" - 1/2"	40	190	155	114.3	73	9.15
2"	50	216	165	127	92.1	11.4
2" - 1/2"	65	241	190	149.2	104.8	18
3"	80	282	210	168.3	127	26.5
4"	100	305	255	200	157.2	39.4
5"	125	381	280	235	185.7	49
6"	150	403	320	269.9	215.9	65
8"	200	502	380	330.2	269.9	100
10"	250	568	445	387.4	323.8	225



- \*OPTION :  
 1. PEEK  
 2. 15% Glass PTFE  
 3. 25% Carbon Full PTF  
 4. TFM 1600

\*Specification is subject to change without prior notice